



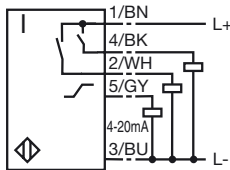
**Model Number**

PMI360D-F130-IE8-V15

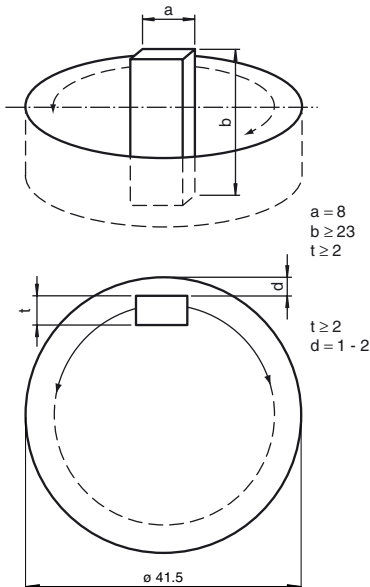
**Features**

- Measuring range 0 ... 360°
- Analogue output 4 mA ... 20 mA
- Adjustable switch points

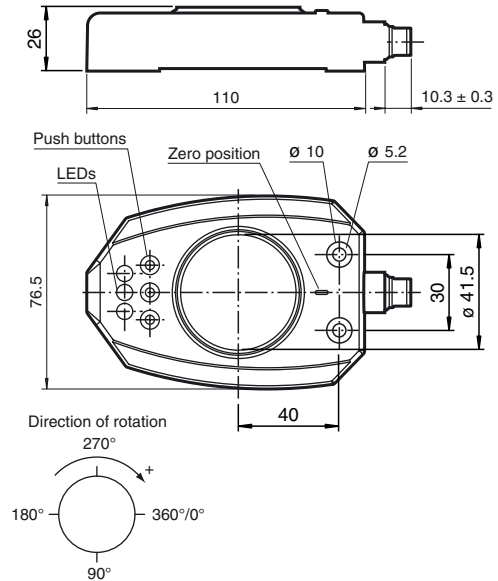
**Connection**



dimensions of the target object:



**Dimensions**



**Technical Data**

**General specifications**

Switching element function	Analogue current output with PNP binary NO
Installation	not embeddable
Measurement range	360°
Rotational speed	$\leq 100 \text{ min}^{-1}$

**Nominal ratings**

Operating voltage	$U_B$	18 ... 30 V
Reverse polarity protection		protected against reverse polarity
Short-circuit protection		pulsing
Output rated operating current		4 ... 20 mA
Voltage drop	$U_d$	$\leq 3 \text{ V}$
Linearity error		1.2°
Temperature drift		1.5° (-25 °C ... 70 °C)
Repeat accuracy		0.5°
Resolution		0.4°
Operating current	$I_L$	0 ... 100 mA
No-load supply current	$I_0$	$\leq 35 \text{ mA}$
Load resistor		current output: < 500 $\Omega$
Operating voltage display		LED green

**Standard conformity**

EMC in accordance with	IEC / EN 60947-5-2:2004
Standards	DIN EN 60947-5-6 (NAMUR)

**Ambient conditions**

Ambient temperature	-25 ... 70 °C (248 ... 343 K)
---------------------	-------------------------------

**Mechanical specifications**

Connection type	connector M12 x 1, 5-pin
Housing material	PBT
Shaft diameter	$\leq 27.5 \text{ mm}$ Steel
Protection degree	IP67
Mass	180 g

**Accessories**

BT-F130-A

Activator

V15-G-2M-PVC

Release date: 2007-08-14 07:38 Date of issue: 2007-09-04 199092\_ENG.xml