

Ultrasonic sensor UB300-18GM40A-E5-V1

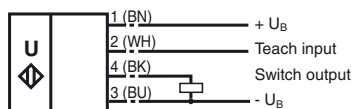


Features

- Short design, 40 mm
- Function indicators visible from all directions
- Switch output
- 5 different output functions can be set
- TEACH-IN input
- Temperature compensation

Electrical connection

Standard symbol/Connections:
(version E5, pnp)

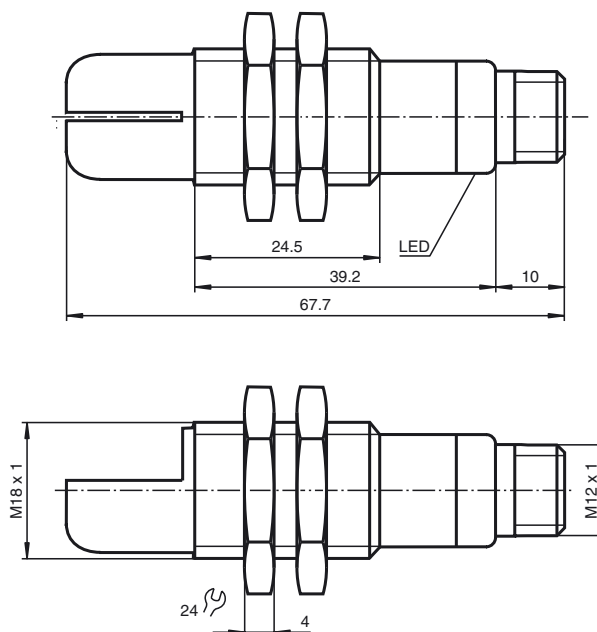


Core colours in accordance with EN 60947-5-2.

Connector V1



Dimensions



Technical data



General specifications

Sensing range	30 ... 300 mm
Adjustment range	50 ... 300 mm
Unusable area	0 ... 30 mm
Standard target plate	100 mm x 100 mm
Transducer frequency	approx. 390 kHz
Response delay	approx. 30 ms

Indicators/operating means

LED yellow	indication of the switching state flashing: TEACH-IN function object detected
LED red	permanently red: Error red, flashing: TEACH-IN function, object not detected

Electrical specifications

Operating voltage	10 ... 30 V DC , ripple 10 % _{SS}
No-load supply current I ₀	≤ 20 mA

Input

Input type	1 TEACH_IN input operating distance 1: -U _B ... +1 V, operating distance 2: +6 V ... +U _B input impedance: > 4,7 kΩ TEACH-IN pulse: ≥ 1 s
------------	---

Output

Output type	1 switch output E5, pnp NO/NC, parameterisable
Default setting	Switch point A1: 50 mm Switch point A2: 300 mm
Repeat accuracy	≤ 1 %
Rated operational current I _o	200 mA , short-circuit/overload protected
Voltage drop U _d	≤ 3 V
Switching frequency f	≤ 13 Hz
Range hysteresis H	1 % of the set operating distance
Temperature influence	± 1.5 % of full-scale value

Standard conformity

Standards	EN 60947-5-2
-----------	--------------

Ambient conditions

Ambient temperature	-25 ... 70 °C (248 ... 343 K)
Storage temperature	-40 ... 85 °C (233 ... 358 K)

Mechanical specifications

Protection degree	IP65
Connection	V1 connector (M12 x 1), 4-pin
Material	
Housing	brass, nickel-plated
Transducer	epoxy resin/hollow glass sphere mixture; foam polyurethane, cover PBT
Mass	25 g

Notes

Adjusting the switching points

The ultrasonic sensor features a switch output with two teachable switching points. These are set by applying the supply voltage $-U_B$ or $+U_B$ to the TEACH-IN input. The supply voltage must be applied to the TEACH-IN input for at least 1 s. LEDs indicate whether the sensor has recognised the target during the TEACH-IN procedure. Switching point A1 is taught with $-U_B$, A2 with $+U_B$.

Five different output functions can be set

1. Window mode, normally-open function
2. Window mode, normally-closed function
3. one switching point, normally-open function
4. one switching point, normally-closed function
5. Detection of object presence

TEACH-IN window mode, normally-open function

- Set target to near switching point
- TEACH-IN switching point A1 with $-U_B$
- Set target to far switching point
- TEACH-IN switching point A2 with $+U_B$

TEACH-IN window mode, normally-closed function

- Set target to near switching point
- TEACH-IN switching point A2 with $+U_B$
- Set target to far switching point
- TEACH-IN switching point A1 with $-U_B$

TEACH-IN switching point, normally-open function

- Set target to near switching point
- TEACH-IN switching point A2 with $+U_B$
- Cover sensor with hand or remove all objects from sensing range
- TEACH-IN switching point A1 with $-U_B$

TEACH-IN switching point, normally-closed function

- Set target to near switching point
- TEACH-IN switching point A1 with $-U_B$
- Cover sensor with hand or remove all objects from sensing range
- TEACH-IN switching point A2 with $+U_B$

TEACH-IN detection of objects presence

- Cover sensor with hand or remove all objects from sensing range
- TEACH-IN switching point A1 with $-U_B$
- TEACH-IN switching point A2 with $+U_B$

Default setting of switching points

A1 = blind range, A2 = nominal distance

LED Displays

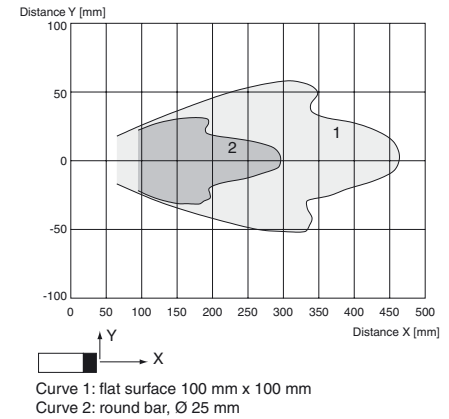
Displays in dependence on operating mode	Red LED	Yellow LED
TEACH-IN switching point:		
Object detected	off	flashes
No object detected	flashes	off
Object uncertain (TEACH-IN invalid)	On	off
Normal operation	off	Switching state
Fault	on	Previous state

Model number

UB300-18GM40A-E5-V1

Characteristic curves/additional information

Characteristic response curve



Programmed switching output function

1. Window mode, normally open function
A1 < A2:
2. Window mode, normally closed function
A2 < A1:
3. One switch point, normally open function
A1 → ∞:
4. One switch point, normally closed function
A2 → ∞:
5. A1 → ∞, A2 → ∞: Detection of object presence
Object detected: Switch output closed
No object detected: Switch output open

Accessories

Programming device

UB-PROG2

Mounting aids/fixing flanges

OMH-04

BF 18

BF 18F

BF 5-30

Sound deflector

UVW90-K18

Cable sockets^{*)}

V1-G-2M-PVC

V1-W-2M-PUR

^{*)} For additional cable sockets see section „Accessories“.