

VDM70-250-R/20/87/160

Distance measurement device

VDM70-250-R/20/87/160

with 12-pin, M16 connector



- ◆ Distance measurement using reflector
- ◆ Can be aligned using an integrated pilot laser
- ◆ SSI interface
- ◆ Adjustable switch outputs
- ◆ Not sensitive to ambient light

General specifications

Light source	laser diode
Approvals	CE, cULus
Laser class	1 EN 60825-1
Alignment aid	adjustment laser , Laser class 2
Linearity error	+/- 3 mm
Measurement range	0.5 ... 250 m on reflector
Reference target	OFR100/100
Light type	IR-laser 900 nm adjustment laser red light 650 nm
Diameter of the light spot	20 mm x 20 mm at a distance of 10 m
Resolution	0.1 mm or 0.125 mm
Hysteresis H	min. 10 mm (adjustable)
Temperature influence	< ± 5 mm absolute

Indicators/operating means

Operating display	LED green
Function display	LED yellow: switching state , LED orange : error message
Operating elements	Keypad (3 membrane keys) for parameter settings on the LCD display

Electrical specifications

Operating voltage	18 ... 30 V DC
Protection class	II
Ripple	10 % within the supply tolerance
No-load supply current I ₀	190 mA

Output

Interfaces	RS 422, SSI
Signal output	2 pnp, short-circuit proof, protected against reverse polarity
Switching current	100 mA
Response time	12 ms
Repeat accuracy R	± 2 mm
Other outputs	Service output, plausibility output, PNP, short-circuit proof 50 mA

Standard conformity

Standards	EN 60947-5-2
-----------	--------------

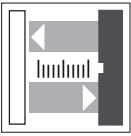
Ambient conditions

Ambient temperature	-10 ... 50 °C (263 ... 323 K)
Storage temperature	-30 ... 75 °C (243 ... 348 K)

Mechanical specifications

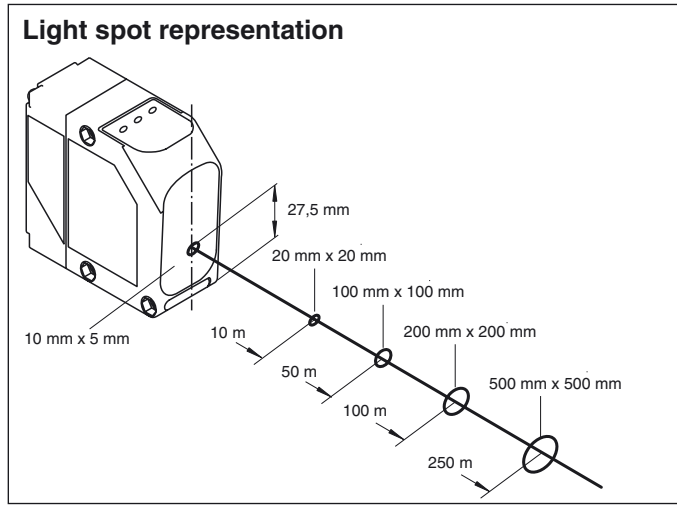
Protection degree	IP67
Connection	with 12-pin, M16 connector
Material	
Housing	ABS
Optical face	PMMA
Mass	230 g

Release date: 2007-03-19 14:33 Date of issue: 2007-03-19 197453_ENG.xml

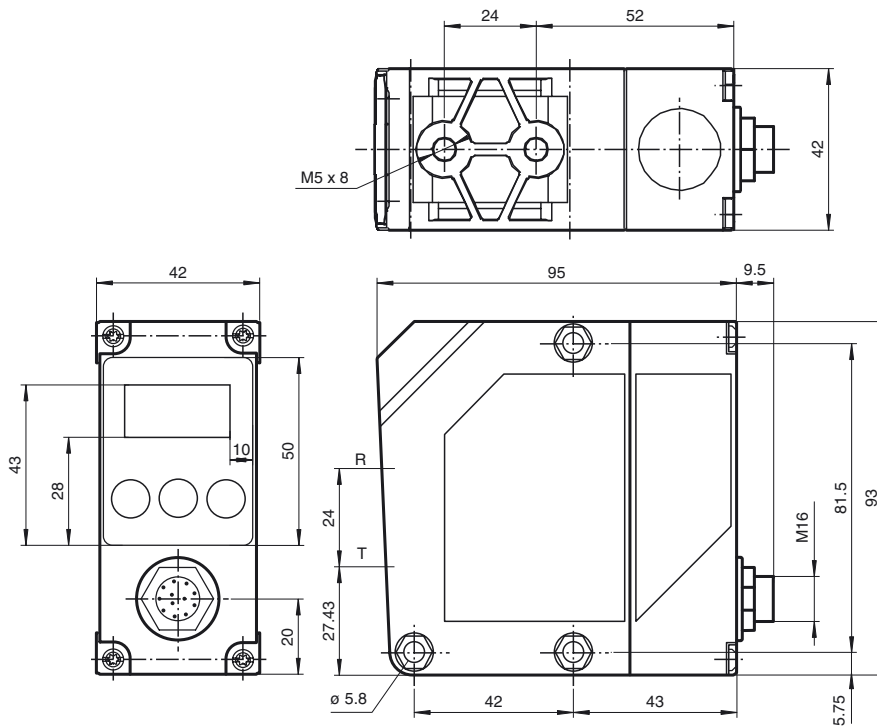


VDM70-250-R/20/87/160

Curves/Diagrams



Dimensions



Release date: 2007-03-19 14:33 Date of issue: 2007-03-19 197453_ENG.xml

electrical connection

