



- RS 485 interface
- Non-contact, absolute position encoder
- Automatic detection of dirt accumulation
- Output of position and speed

WCS3B-LS2\*\*



## Technical data

### General specifications

Passage speed	v	≤ 12.5 m/s
Measuring range		max. 314.5 m
Free tolerances to code rail		horizontal: 31 mm ( ± 15.5 mm ) vertical: 28 mm ( ± 14 mm )
Resolution		± 0.4 mm (1,250 positions/m)

### Indicators/operating means

Operating display		LED green: power on
Data flow display		LED yellow: data communication active
velocity indication		LED yellow (only with option S, velocity output) off, if speed limit is exceeded (instead of data flow display)
error display		LED red flashing: reading head outside of code rail permanently on: internal diagnostic test failed
Display		6-digit 7-segment display (only with option D, display) adaptable to installation position

### Electrical specifications

Operating voltage		10 ... 30 V DC
Power consumption	P <sub>0</sub>	2 VA with option heating: 11 VA at 24 V DC

### Interface

Data output code		binary code
Interface type		RS 485 interface
Transfer rate		Baud rate 19.2 kBit/s ... 187.5 kBit/s (to be defined with order)
Termination		with RS 485 termination

### Output

Output velocity		switch output , short-circuit proof (only with option S, velocity output)
Switching voltage		Operating voltage

### Standard conformity

Emitted interference		DIN EN 61000-6-4 , DIN EN 12015
Interference rejection		DIN EN 61000-6-2 , DIN EN 12016
Shock resistance		DIN EN 60068-2-27, half sine 30 g, 18 ms
Vibration resistance		DIN EN 60068-2-6, sine, 5 g, 10 - 2000 Hz, 10 cycles

### Ambient conditions

Operating temperature		0 ... 60 °C (273 ... 333 K) with option heating: -40 ... 60 °C (233 ... 333 K)
Relative humidity		90 % , non-condensing

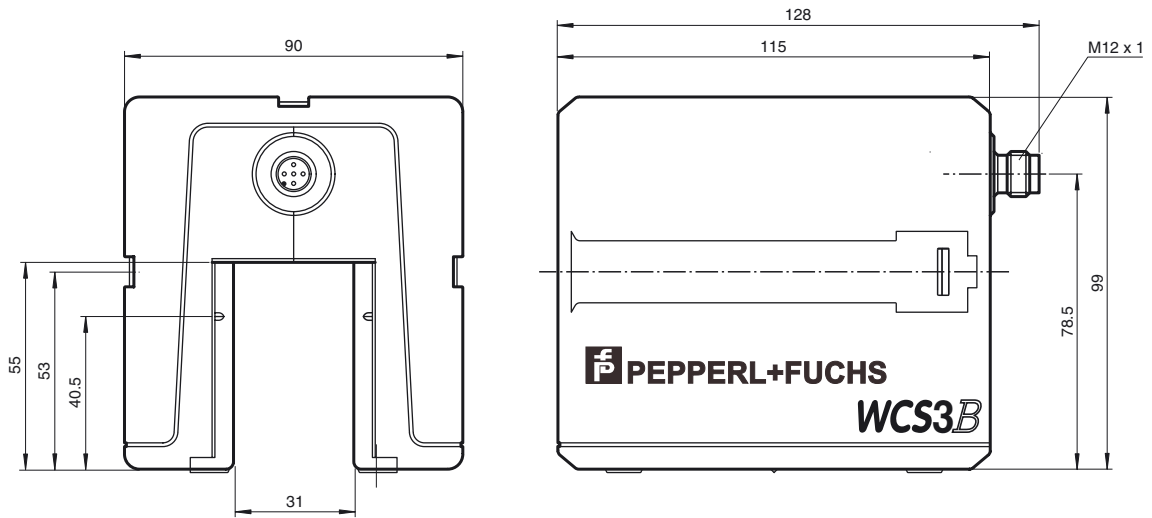
### Mechanical specifications

Connection type		connector M12 x 1, 5-pin
Protection degree		IP54
Material		
Housing		ABS , PC (Polycarbonate)
Mass		500 g

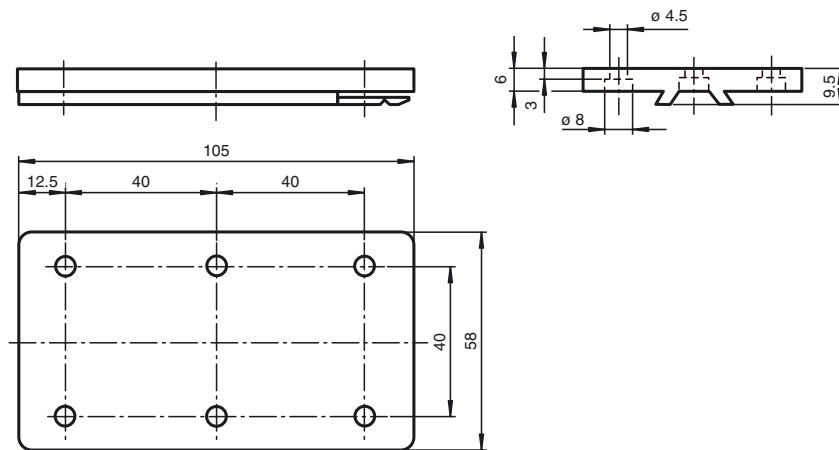
### General information

Ordering information		Mounting plate included in scope of delivery
----------------------	--	--

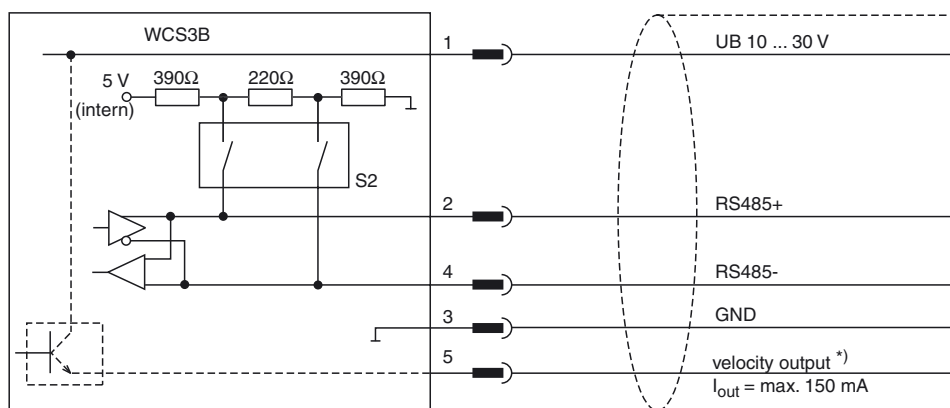
**Dimensions**



**Mounting plate**



Electrical connection



WCS3B-LS2... S2 = ON  
 WCS3B-LS1... S2 = OFF

\*) only with option S, velocity output

